



ITT

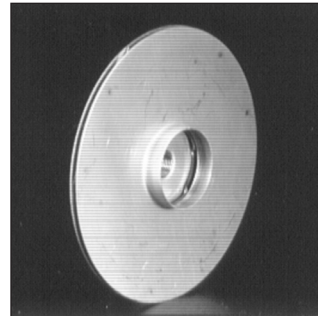
RNPV

Commercial Water

Goulds Pumps

NPV Repair Parts

Vertically Immersed Stainless
Steel End Suction Pump

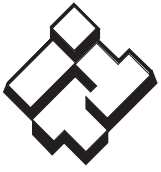


 **GOULDS PUMPS**

Goulds Pumps is a brand of ITT Corporation.

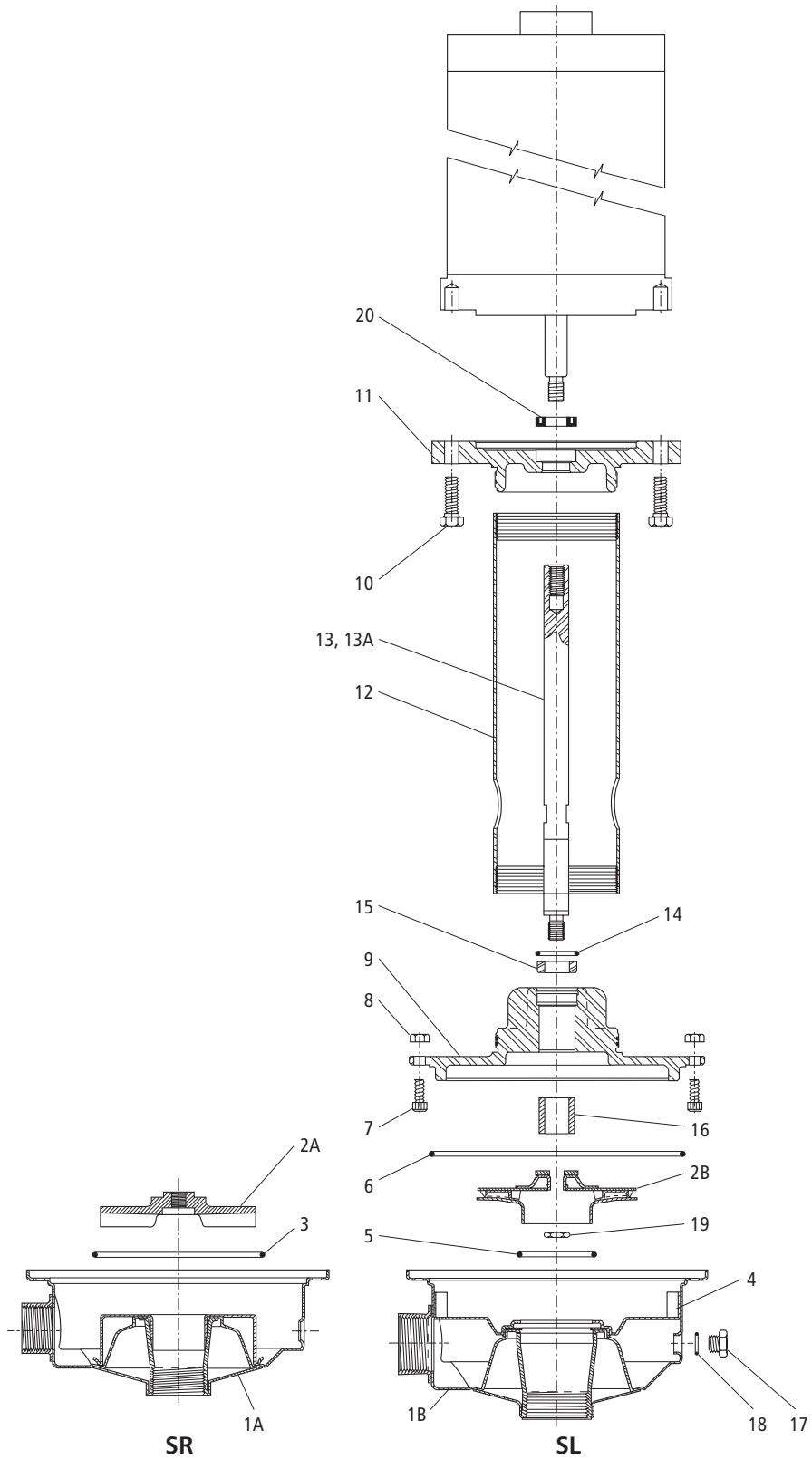
www.goulds.com

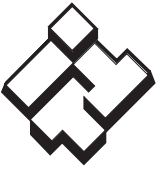
Engineered for life



ITT

GOULDS PUMPS
Commercial Water

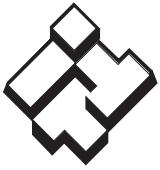




ITT

GOULDS PUMPS Commercial Water

Bill of Material							
Item	Description	Material	Quantity	Repair Parts Order No.			
SR ONLY	1A	Casing, pump SR	AISI 304 SS	1	1SR 1L499	2SR 1L440	3SR 1L441
	2A	Impeller (open)	AISI 316 SS	1	2K562 (3.00)	2L710 (3.44)	2L717 (3.75)
					2K561 (3.25)	2L709 (3.75)	2L716 (4.19)
					2K560 (3.50)	2L708 (4.06)	2L715 (4.44)
					2K559 (3.75)	2L707 (4.31)	2L714 (4.62)
					2K558 (4.00)	2L706 (4.62)	2L713 (4.94)
					2K557 (4.31)	2L705 (5.06)	2L712 (5.25)
					2K710 (5.00)	2L704 (5.31)	2L711 (5.44)
	2K711 (5.38)	—	—				
	3A	O-ring, internal casing	Viton	1	5L109	—	—
3B	O-ring, internal casing	EPR	5K252		—	—	
SL ONLY	1B	Casing, pump SL	AISI 304 SS	1	1SL 1L81	2SL 1L82	3SL 1L83
	2B	Impeller (closed)	AISI 304 SS	1	2L59 (4.06)	2L50 (3.88)	2L55 (3.63)
					2L45 (4.44)	2L51 (4.25)	2L56 (4.06)
					2L42 (4.75)	2L52 (4.62)	2L57 (4.38)
					2L46 (5.19)	2L53 (4.88)	2L58 (4.62)
					2L44 (5.75)	2L54 (5.06)	2L49 (4.75)
					2L47 (6.13)	2L48 (5.25)	2L701 (5.00)
					—	2L699 (5.50)	2L702 (5.38)
	—	2L700 (5.94)	—				
	4	Guidevane	AISI 304 SS	1	3L23	3L24	3L25
5A	O-ring, impeller	Viton	1	5L75	5L76	5L76	
5B	O-ring, impeller	EPR		5L81	5L82	5L82	
COMMON	6A	O-ring, casing	Viton	1	5K206		
	6B	O-ring, casing	EPR		5K193		
	7	¼ - 20NC – 2A x .50 long socket head cap screw	AISI 304 SS	8	13K268		
	8	¼ - 20NC hex nut	AISI 304 SS	8	13K269		
	9	Pump mounting plate	AISI 303 SS	1	1L502		
	10	⅜ - 16NC – 2A x 1.0 long hex head bolt	Plated Steel	4	13K194		
	11	Motor mounting plate	Cast Iron	1	1L503		
	12	Tube, support, 14 inch	AISI 304 SS	1	6K117		
		Tube, support, 24 inch			6K123		
	13	Shaft, 14 inch	AISI 304 SS	1	4K417		
		Shaft, 24 inch			4K428		
	13A	Shaft, 14 inch	AISI 304 SS	1	4K441		
		Shaft, 24 inch	Ceramic Coated		4K443		
	14	Snap ring	Stainless Steel	1	4K419		
	15	Bushing	Nitronic 60 Stainless	1	4K416		
	16	Bearing	Viton	1	7K474		
Carbon (CTI 25)			4K418				
EPR			7K1743				
17	Plug, drain and vent	AISI 304 SS	2	6L3			
18A	O-ring, drain and vent plug	Viton	1	5L99			
18B	O-ring, drain and vent plug	EPR		5L80			
19	Nut, impeller	300 Series SS	1	13K6			
20	Seal, u-cup	Teflon	1	10K73			



ITT

Commercial Water



Goulds Pumps and the ITT Engineered Blocks Symbol are registered trademarks and tradenames of ITT Corporation.

SPECIFICATIONS ARE SUBJECT TO CHANGE WITHOUT NOTICE.

RNPV October, 2008

Copyright (c) 2008 ITT Corporation

Engineered for life