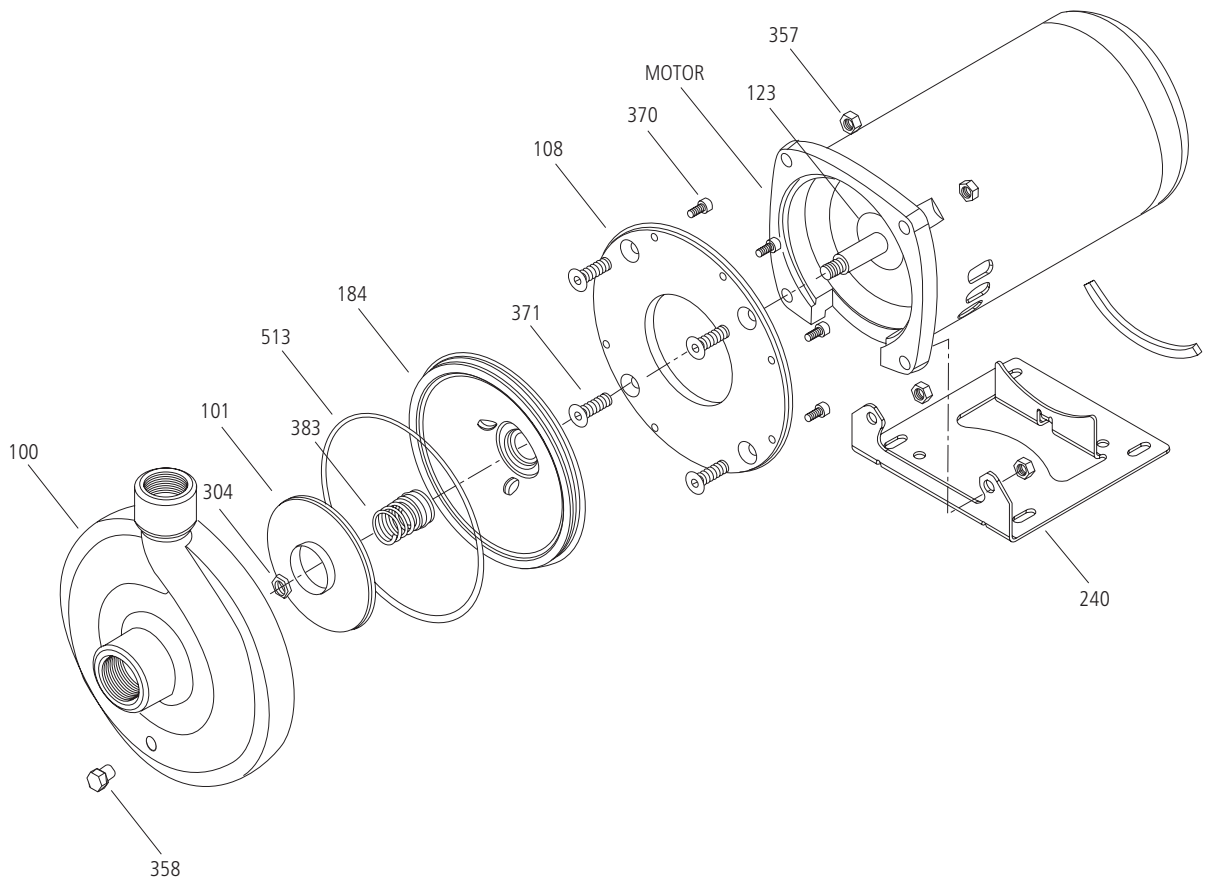




ITT

Commercial Water

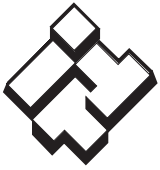
Goulds Pumps MCC Repair Parts



Goulds Pumps is a brand of ITT Corporation.

www.goulds.com

Engineered for life



ITT

Commercial Water

| Item No. | Description | Materials of Construction | 1MC 1 x 1¼ | 2MC 1¼ x 1½ | 3MC 1½ x 2 | Quantity |
|----------|--|---------------------------|---------------------------|----------------|---------------|----------|
| 100 | Casing | Iron | 1K337 | 1K338 | 1K339 | 1 |
| 101 | Impeller | AISI 316L SS | See Impeller Chart | | | 1 |
| 108 | Motor adapter | Aluminum | 1K336 | | | 1 |
| 123 | Deflector | BUNA-N | 5K7 | | | 1 |
| 184 | Seal housing | AISI 316L SS | 1L79 | | | 1 |
| 240 | Motor support | Steel | 4K628 | | | 1 |
| | Rubber channel – 56 FRM – 48 FRM | Rubber | 9K188 | | | 1 |
| | | | 9K286 | | | 1 |
| 304 | Impeller locknut | AISI 316 SS | 13K286 | | | 1 |
| 357 | Nut, motor | AISI 300 SS | 13K262 | | | 4 |
| 358 | Plug, drain | Plated Steel | 6K2 | | | 1 |
| 370 | Socket head screw, casing | AISI 410 SS | 13K268 | | | 8 |
| 371 | Bolts, motor | AISI 300 SS | 13K287 | | | 4 |
| 383 | Mechanical seal | — | See mechanical seal chart | | | 1 |
| 513 | O-ring, casing | BUNA | 5K4 | | | 1 |
| | | EPR | 5K193 | | | |
| | | Viton standard | 5K206 | | | |

| Mechanical Seal (¾" Seal) | | | | |
|---------------------------|-------------|------------|-------------|----------|
| Rotary | Stationary | Elastomers | Metal Parts | Part No. |
| Carbon | Ceramic | BUNA | 18-8SS | 10K10 |
| | | EPR | | 10K18 |
| | Sil-Carbide | Viton | | 316SS |
| EPR | | | 10K81 | |
| Viton | | | 10K62 | |

Note: *Replaces obsolete 10K24

| Impeller Code | Pump Size | | | | | |
|---------------|--------------------------------|----------|---------------------------------|----------|--------------------------------|----------|
| | 1MC 1 x 1¼ – 6 | | 2MC 1¼ x 1½ – 6 | | 3MC 1½ x 2 – 6 | |
| | Diameter | Part No. | Diameter | Part No. | Diameter | Part No. |
| K | — | — | 6⅞ | 2L885 | — | — |
| G | — | — | 5 ¹⁵ / ₁₆ | 2L700 | 5⅜ | 2L702 |
| H | — | — | 5½ | 2L699 | 5 | 2L701 |
| A | 6⅞ | 2L47 | 5¼ | 2L48 | 4¾ | 2L49 |
| B | 5¾ | 2L44 | 5 ¹ / ₁₆ | 2L54 | 4⅝ | 2L58 |
| C | 5 ³ / ₁₆ | 2L46 | 4⅞ | 2L53 | 4⅜ | 2L57 |
| D | 4¾ | 2L42 | 4⅞ | 2L52 | 4 ¹ / ₁₆ | 2L56 |
| E | 4 ⁷ / ₁₆ | 2L45 | 4¼ | 2L51 | 3⅝ | 2L55 |
| F | 4 ¹ / ₁₆ | 2L59 | 3⅞ | 2L50 | — | — |



Goulds Pumps and the ITT Engineered Blocks Symbol are registered trademarks and tradenames of ITT Corporation.

SPECIFICATIONS ARE SUBJECT TO CHANGE WITHOUT NOTICE.

RMCC February, 2008

© 2008 ITT Corporation

Engineered for life