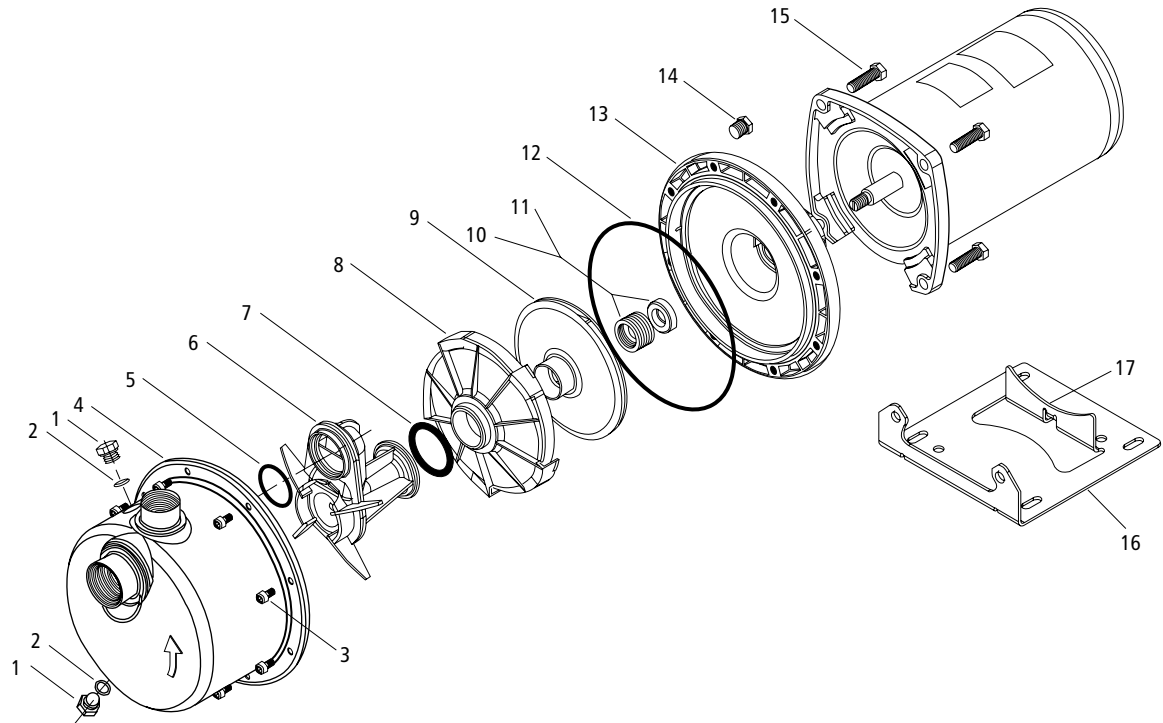


ITT

Commercial Water

Goulds Pumps G&L Series LB Repair Parts

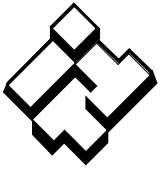
Effective March, 2008



Goulds Pumps is a brand of ITT Corporation.

www.goulds.com

Engineered for life



ITT

Commercial Water

Part No.	Part Description	Material	Repair Part No.			
			LB05	LB07	LB10	
1	Plug with o-ring	304 SS	6L3			
2	O-ring – plug	EPR	5L80			
3	Socket head screw	304 SS	13L65			
4	Casing with plug	304 SS	1L78			
5	O-ring – suction	EPR	5K300			
6	Nozzle/venturi assembly	Lexan® 500	3L20			
7	O-ring guide vane	EPR	5K301			
8	Guide vane	Lexan® 10% G.F.	3K65			
9	Impeller	Noryl® GFN2	LB05	4.50" Dia.	2K331	
			LB07	5.00" Dia.		2K829
			LB10	5.25" Dia.		
10	Mechanical seal – rotary	Carbon	10K18			
11	Mechanical seal – stationary	Sil-Carbide				
12	O-ring casing	EPR	5K193			
13	Motor adapter with inserts	Amodel® 45% G.F.	1K344			
14	Pipe plug	SAE 1018	6K2			
15	Hex cap screw	Steel (zinc plated)	13K194			
16	Base	Steel	4K450			
17	Rubber channel	BUNA	48 Frame	9K286		
			56 Frame	9K188		

Noryl® and Lexan® are registered trademarks of GE Plastic.

HP	Motor Codes			
	1Ø – ODP	3Ø – ODP	1Ø – TEFC	3Ø – TEFC
½	SFJ04860R	SFE04873S	SFE04821S	SFE04876S
¾	SFJ05860R	SFE05873S	SFE05821S	SFE05876S
1	SFJ06860R	SFE06873S	SFE06821S	SFE06876S



Goulds Pumps, G&L and the ITT Engineered Blocks Symbol are registered trademarks and tradenames of ITT Corporation.

Noryl and Lexan are trademarks of GE Plastic.

Amodel is a trademark of Solvay.

SPECIFICATIONS ARE SUBJECT TO CHANGE WITHOUT NOTICE.

RGLLB March, 2008

© 2008 ITT Corporation

Engineered for life