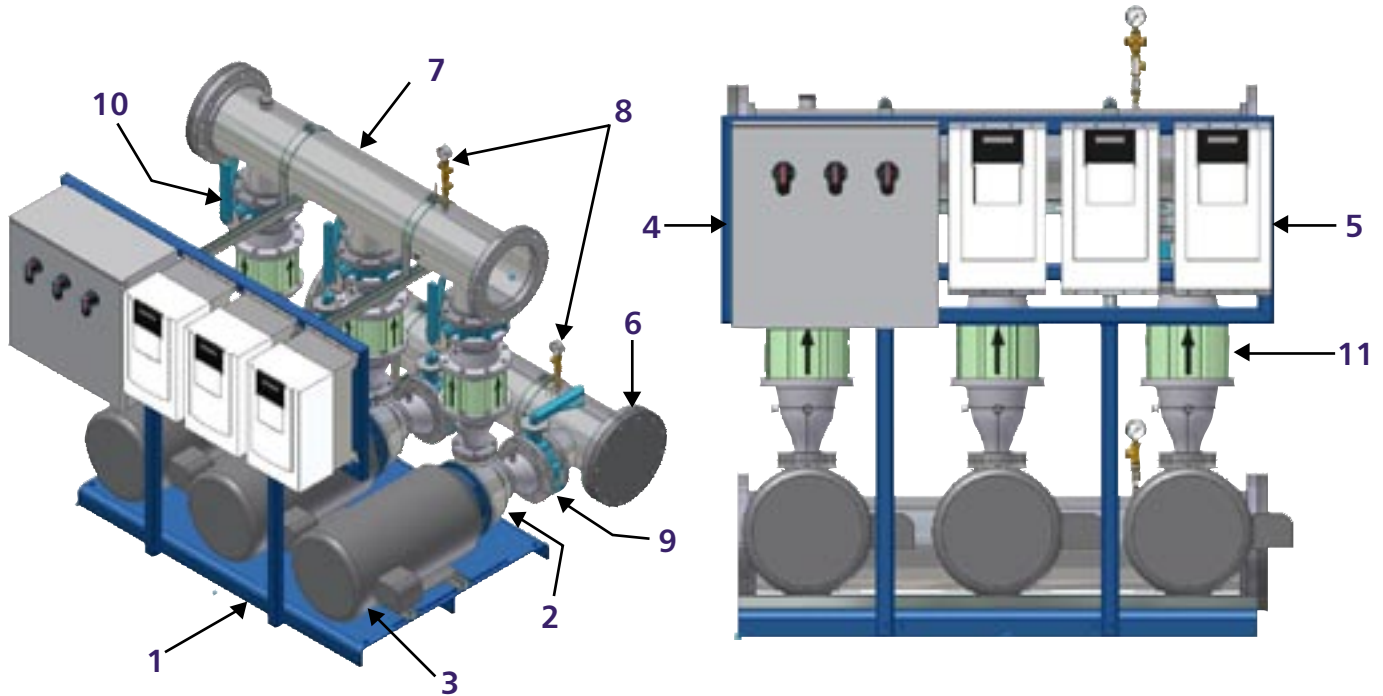


# AquaForce MAJOR COMPONENTS

---



1. **(BASE)** Flat steel construction with supporting rib.
2. **(PUMP)** 316L stainless steel construction, end suction or vertical multi-stage.
3. **(MOTOR)** Standard NEMA design, Class F, Baldor® or equal, JM or TC frame.
4. **(MAIN FUSE DISCONNECT)** NEMA 4 enclosure, lock out for each pump.
5. **(AQUAVAR CONTROLLER)** G&L Pumps variable speed controller (motor or strut mounted).
6. **(FLANGED SUCTION MANIFOLD)** ANSI flange, 304 stainless, minimum schedule 40.
7. **(FLANGED DISCHARGE MANIFOLD)** ANSI flange, 304 stainless, minimum schedule 40.
8. **(PRESSURE GAUGES)** Liquid filled, bourdon tube type, WIKA® or equal.
9. **(ISOLATION VALVES)** Wafer type, low loss, Watts® or equal.
10. **(DISCHARGE ISOLATION VALVE)** Wafer type, low loss type, Watts or equal.
11. **(CHECK VALVES)** Non-slam, silent type, Watts or equal.

**NOTE:** Specifications/equipment subject to change without notice. Verify with factory.